

# Technical data sheet



## Product features

### Cooking range electric with electric convection oven GN 1/1 - 6x plate 400 V

<b>Model</b>	<b>SAP Code</b>	00110113
--------------	-----------------	----------



- Device type: Electric unit
- Power consumption of the zone 1 [kW]: 2,6
- Power consumption of the zone 2 [kW]: 2,6
- Power consumption of the zone 3 [kW]: 2,6
- Power consumption of the zone 4 [kW]: 2,6
- Power consumption of the zone 5 [kW]: 2,6
- Power consumption of the zone 6 [kW]: 2,6
- Type of internal part of the appliance 1 (eg oven): Electric
- Type of internal part of the appliance 2 (eg oven): Hot air
- Material: AISI 304 top plate, AISI 430 cladding

<b>SAP Code</b>	00110113	<b>Power consumption of the zone 4 [kW]</b>	2,6
<b>Net Width [mm]</b>	1200	<b>Power consumption of the zone 5 [kW]</b>	2,6
<b>Net Depth [mm]</b>	700	<b>Power consumption of the zone 6 [kW]</b>	2,6
<b>Net Height [mm]</b>	900	<b>Power consumption of the zone 7 [kW]</b>	2,6
<b>Net Weight [kg]</b>	111.00	<b>Power consumption of the zone 8 [kW]</b>	2,6
<b>Power electric [kW]</b>	18.600	<b>Type of internal part of the appliance 1 (eg oven)</b>	Electric
<b>Loading</b>	400 V / 3N - 50 Hz	<b>Type of internal part of the appliance 2 (eg oven)</b>	Hot air
<b>Number of zones</b>	6	<b>Width of internal part [mm]</b>	548
<b>Power consumption of the zone 1 [kW]</b>	2,6	<b>Depth of internal part [mm]</b>	360
<b>Power consumption of the zone 2 [kW]</b>	2,6	<b>Height of internal part [mm]</b>	338
<b>Power consumption of the zone 3 [kW]</b>	2,6	<b>Diameter of device [mm]</b>	220

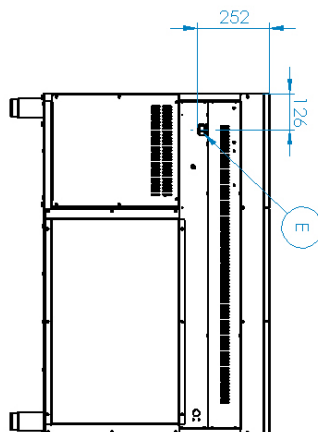
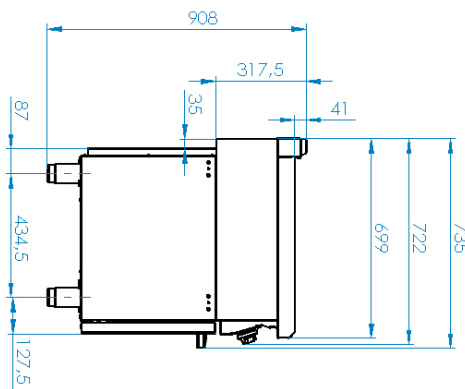
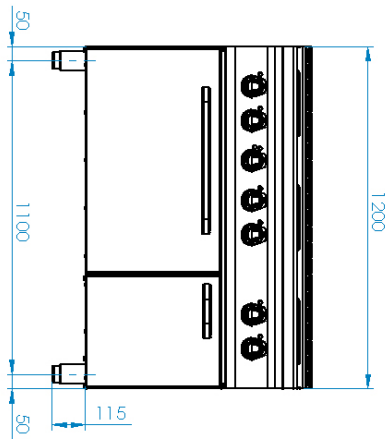
# Technical data sheet

Technical drawing



Cooking range electric with electric convection oven GN 1/1 - 6x plate 400 V

Model	SAP Code	00110113
-------	----------	----------



### Cooking range electric with electric convection oven GN 1/1 - 6x plate 400 V

<b>Model</b>	<b>SAP Code</b>	00110113
--------------	-----------------	----------

**1**

#### Round plates

- quick warm-up  
efficient cooking on a round surface with easy  
adhesion to dishes
- time-saving in food preparation
  - easy to use thanks to the large surface area of the  
cooking plates

**2**

#### Internal thermostatic plate protection

- longer service life of the plates
- no overheating of the plates and no cracking

**3**

#### Degree of protection of the control elements IPX4

- maintenance-free system  
resistance to splash water  
long life
- savings on service interventions
  - easy cleaning and maintenance of equipment

**4**

#### All-stainless design

- long life  
resistance of a ground steel plate with  
a thickness of 10 mm
- savings on service interventions
  - higher corrosion resistance

**5**

#### Hygienic moldings of the top plate

- absence of sharp corners and edges (potential places  
where dirt could stick)  
smooth transitions
- easy quick cleaning

**6**

#### Hot air oven

- hot air baking  
high capacity and variability  
all-stainless design
- suitable for meat, fish, baked pasta, white meat,  
sweet pastries
  - long service life
  - easy to clean

# Technical data sheet



## Technical parameters

### Cooking range electric with electric convection oven GN 1/1 - 6x plate 400 V

<b>Model</b>	<b>SAP Code</b>	00110113
--------------	-----------------	----------

**1. SAP Code:**

00110113

**2. Net Width [mm]:**

1200

**3. Net Depth [mm]:**

700

**4. Net Height [mm]:**

900

**5. Net Weight [kg]:**

111.00

**6. Gross Width [mm]:**

1240

**7. Gross depth [mm]:**

800

**8. Gross Height [mm]:**

975

**9. Gross Weight [kg]:**

128.00

**10. Device type:**

Electric unit

**11. Construction type of device:**

With substructure

**12. Power electric [kW]:**

18.600

**13. Loading:**

400 V / 3N - 50 Hz

**14. Material:**

AISI 304 top plate, AISI 430 cladding

**15. Worktop material:**

AISI 304

**16. Worktop Thickness [mm]:**

1.20

**17. Number of zones:**

6

**18. Power consumption of the zone 1 [kW]:**

2,6

**19. Power consumption of the zone 2 [kW]:**

2,6

**20. Power consumption of the zone 3 [kW]:**

2,6

**21. Power consumption of the zone 4 [kW]:**

2,6

**22. Power consumption of the zone 5 [kW]:**

2,6

**23. Power consumption of the zone 6 [kW]:**

2,6

**24. Power consumption of the zone 7 [kW]:**

2,6

**25. Power consumption of the zone 8 [kW]:**

2,6

**26. Number of power control stages:**

6

**27. Safety thermostat up to x ° C:**

360

**28. Adjustable feet:**

Yes

# Technical data sheet



Technical parameters

## Cooking range electric with electric convection oven GN 1/1 - 6x plate 400 V

**Model**

**SAP Code**

00110113

**29. Number of burners/hot plates:**

6

**35. Width of internal part [mm]:**

548

**30. Diameter of device [mm]:**

220

**36. Depth of internal part [mm]:**

360

**31. Type of electric cooking zones:**

Oval

**37. Height of internal part [mm]:**

338

**32. Oven size:**

GN 1/1

**38. Maximum temperature of the inner chamber [°C]:**

300

**33. Type of internal part of the appliance 1 (eg oven):**

Electric

**39. Minimum temperature of the inner chamber [°C]:**

50

**34. Type of internal part of the appliance 2 (eg oven):**

Hot air

**40. Cross-section of conductors CU [mm<sup>2</sup>):**

5

– Výkon (kW): 37 a více (230 V); 64 a více (400 V)